



# SPEEDLITE EL-10

## Specifications

Flash																
<b>Compatible Cameras</b>	EOS cameras equipped with a Multi-function Shoe															
<b>Flash Coverage (Focal length; for 35mm full-frame)</b>	<table border="1"> <tr> <td><b>14mm</b></td> <td>Wide Panel: Manual * Not compatible with EF15mm f/2.8 Fisheye or EF8-15mm f/4L Fisheye USM shooting angles of view</td> </tr> <tr> <td><b>24mm</b></td> <td rowspan="4">Flash coverage is set automatically, accounting for [Auto zoom for sensor size] and [Light distribution] settings at the lens focal length.</td> </tr> <tr> <td><b>28mm</b></td> </tr> <tr> <td><b>35mm</b></td> </tr> <tr> <td><b>50mm</b></td> </tr> <tr> <td><b>70mm</b></td> <td rowspan="3">Flash coverage is set manually [Auto zoom for sensor size] and [Light distribution] settings are not taken into account.</td> </tr> <tr> <td><b>80mm</b></td> </tr> <tr> <td><b>105mm</b></td> </tr> <tr> <td><b>135mm</b></td> <td></td> </tr> <tr> <td><b>200mm</b></td> <td></td> </tr> </table>	<b>14mm</b>	Wide Panel: Manual * Not compatible with EF15mm f/2.8 Fisheye or EF8-15mm f/4L Fisheye USM shooting angles of view	<b>24mm</b>	Flash coverage is set automatically, accounting for [Auto zoom for sensor size] and [Light distribution] settings at the lens focal length.	<b>28mm</b>	<b>35mm</b>	<b>50mm</b>	<b>70mm</b>	Flash coverage is set manually [Auto zoom for sensor size] and [Light distribution] settings are not taken into account.	<b>80mm</b>	<b>105mm</b>	<b>135mm</b>		<b>200mm</b>	
<b>14mm</b>	Wide Panel: Manual * Not compatible with EF15mm f/2.8 Fisheye or EF8-15mm f/4L Fisheye USM shooting angles of view															
<b>24mm</b>	Flash coverage is set automatically, accounting for [Auto zoom for sensor size] and [Light distribution] settings at the lens focal length.															
<b>28mm</b>																
<b>35mm</b>																
<b>50mm</b>																
<b>70mm</b>	Flash coverage is set manually [Auto zoom for sensor size] and [Light distribution] settings are not taken into account.															
<b>80mm</b>																
<b>105mm</b>																
<b>135mm</b>																
<b>200mm</b>																
<b>Guide Number</b>	<ul style="list-style-type: none"> <li>The maximum Guide No. is approximately 131.2 ft./40m at ISO 100 and 200mm flash coverage. -When the extendable wide panel is pulled out, the flash coverage is 14mm.</li> </ul>															
<b>Minimum Flash Output</b>	<ul style="list-style-type: none"> <li><b>1/1024</b></li> <li>Minimum flash output is 1/128 when set to high-speed sync.</li> <li>Flash output 1/64 or less via expanded setting.</li> </ul>															
<b>Continuous Flash count at full output</b>	<p>To level 1: 55 times or more To level 2: 65 times or more</p>															
<b>Flash firing restriction due to temperature increase</b>	<table border="1"> <thead> <tr> <th></th> <th>Level 1</th> <th>Level 2</th> </tr> </thead> <tbody> <tr> <td>LCD Panel illumination</td> <td>Lit in green</td> <td>blinking green</td> </tr> <tr> <td>Firing interval (approx.)</td> <td>10 sec.</td> <td>45 sec.</td> </tr> </tbody> </table>		Level 1	Level 2	LCD Panel illumination	Lit in green	blinking green	Firing interval (approx.)	10 sec.	45 sec.						
	Level 1	Level 2														
LCD Panel illumination	Lit in green	blinking green														
Firing interval (approx.)	10 sec.	45 sec.														

<p><b>Flash Exposure Compensation</b></p>	<p>±3 stops, in 1/3-stop or 1/2-stop*1 increments.</p> <p>* The Speedlite's flash exposure compensation takes precedence if flash exposure compensation is performed by both the Speedlite and the camera. Users who prefer to enable flash exposure compensation by the camera should set flash exposure compensation by the Speedlite to 0.</p> <p>*1: Corresponds to exposure level increments on the camera.</p>									
<p><b>FEB</b></p>	<p>±3 stops, in 1/3-stop or 1/2-stop*1 increments.</p> <p>* FEB is automatically deactivated after three shots.</p> <p>* Can be used with flash exposure compensation and FE lock.</p> <p>*1: Corresponds to exposure level increments on the camera.</p>									
<p><b>FE Lock</b></p>	<p>Supported</p>									
<p><b>FE Memory</b></p>	<p>Supported</p> <ul style="list-style-type: none"> <li>• Stores the flash output of E-TTL II / E-TTL autoflash and automatically sets the stored output level if users switch the flash mode to manual flash. <ul style="list-style-type: none"> <li>* Flash output may vary slightly between E-TTL autoflash and manual flash.</li> </ul> </li> <li>• Colors may vary between E-TTL autoflash and manual flash under the following conditions: <ul style="list-style-type: none"> <li>* When the color temperature of the Speedlite light differs greatly from that of ambient lighting and flash exposure compensation is set toward the negative end.</li> <li>* When E-TTL balance is set to [Ambience priority].</li> </ul> </li> <li>• Differences in colors between E-TTL autoflash and manual flash may be reduced by taking one of the follow steps: <ul style="list-style-type: none"> <li>* Using the provided color filter.</li> <li>* Setting white balance to an option other than AWB.</li> <li>* When combined with specific cameras, FE Memory is possible by operating the camera buttons (by using the camera's C.Fn of by custom buttons).</li> <li>* Accessing the FE memory function using camera buttons requires a camera with updated firmware. For details on compatible cameras, refer to the separate camera compatibility list.</li> </ul> </li> </ul>									
<p><b>Recharge Time</b></p>	<table border="1" data-bbox="639 1220 1273 1440"> <thead> <tr> <th>Battery</th> <th>Quick Flash</th> <th>Normal Flash</th> </tr> </thead> <tbody> <tr> <td>AA/Alkaline</td> <td>0.1–2.2 sec.</td> <td>0.1–2.5 sec.</td> </tr> <tr> <td>AA/Ni-MH</td> <td>0.1–1.3 sec.</td> <td>0.1–1.5 sec.</td> </tr> </tbody> </table> <p>* Using new batteries, based on Canon testing standards</p>	Battery	Quick Flash	Normal Flash	AA/Alkaline	0.1–2.2 sec.	0.1–2.5 sec.	AA/Ni-MH	0.1–1.3 sec.	0.1–1.5 sec.
Battery	Quick Flash	Normal Flash								
AA/Alkaline	0.1–2.2 sec.	0.1–2.5 sec.								
AA/Ni-MH	0.1–1.3 sec.	0.1–1.5 sec.								
<p><b>Recharge Level</b></p>	<table border="1" data-bbox="537 1503 1476 1982"> <tr> <td>Normal Flash</td> <td>State when fully charged and the Speedlite can be used without restriction</td> </tr> <tr> <td>Quick Flash</td> <td> <p>Can fire, but some restrictions apply:</p> <ul style="list-style-type: none"> <li>* Max. intensity is in a range of approx. 1/2 to 1/3 of the fully charged intensity.</li> <li>*No Quick flash firing under the following conditions: <ul style="list-style-type: none"> <li>• when P.Fn-01: Quick flash is set to OFF.</li> <li>• when using a camera that does not support E-TTL II/E-TTL autoflash.</li> <li>• When used wirelessly via radio transmission.</li> <li>• When the manual flash output is set in the range of 1/1 to 1/3.2</li> </ul> </li> </ul> </td> </tr> <tr> <td>Charging in progress</td> <td>Does not fire in this state.</td> </tr> </table>	Normal Flash	State when fully charged and the Speedlite can be used without restriction	Quick Flash	<p>Can fire, but some restrictions apply:</p> <ul style="list-style-type: none"> <li>* Max. intensity is in a range of approx. 1/2 to 1/3 of the fully charged intensity.</li> <li>*No Quick flash firing under the following conditions: <ul style="list-style-type: none"> <li>• when P.Fn-01: Quick flash is set to OFF.</li> <li>• when using a camera that does not support E-TTL II/E-TTL autoflash.</li> <li>• When used wirelessly via radio transmission.</li> <li>• When the manual flash output is set in the range of 1/1 to 1/3.2</li> </ul> </li> </ul>	Charging in progress	Does not fire in this state.			
Normal Flash	State when fully charged and the Speedlite can be used without restriction									
Quick Flash	<p>Can fire, but some restrictions apply:</p> <ul style="list-style-type: none"> <li>* Max. intensity is in a range of approx. 1/2 to 1/3 of the fully charged intensity.</li> <li>*No Quick flash firing under the following conditions: <ul style="list-style-type: none"> <li>• when P.Fn-01: Quick flash is set to OFF.</li> <li>• when using a camera that does not support E-TTL II/E-TTL autoflash.</li> <li>• When used wirelessly via radio transmission.</li> <li>• When the manual flash output is set in the range of 1/1 to 1/3.2</li> </ul> </li> </ul>									
Charging in progress	Does not fire in this state.									

<b>Wireless Functions via radio transmission</b>	The Speedlite EL-10 can be set to function as a sender or receiver in wireless flash photography using radio transmission
	<b>Second-curtain sync</b> The Speedlite EL-10 supports second-curtain synchronization in radio transmission wireless shooting.

**Products supporting “Wireless second-curtain sync via radio transmission”**

Accessory Shoe	Compatible Device	Sender	Receiver
Compatible with multi-function shoe	EL-5	Yes	Yes
	EL-10	Yes	Yes
	ST-E10	Yes	–
Compatible with conventional accessory shoe	EL-1	–	Yes
	600EX II-RT	–	Yes
	600EX-RT	–	Yes
	430EX III-RT	–	Yes
	MT-26EX-RT	–	–
	ST-E3-RT (Ver. 3)	Yes	–
	ST-E3-RT (Ver.2)	Yes	–
	ST-E3-RT	–	–

<b>Wireless Functions via optical transmission</b>	Not supported
--	---------------

<p><b>Communication Functions</b></p>	<table border="1"> <tr> <td><b>Compliance standards</b></td> <td>IEEE 802.15.4, ARIB STD-T66</td> </tr> <tr> <td><b>Communication method</b></td> <td>Primary modulation: OQPAK Secondary modulation: DS-SS</td> </tr> <tr> <td><b>Transmission frequency</b></td> <td>2405-2475 MHz</td> </tr> <tr> <td><b>Channel</b></td> <td>Channel 1-15 Setting: Auto / Manual</td> </tr> <tr> <td><b>Wireless radio ID</b></td> <td>0000 to 9999 Setting: Manual</td> </tr> <tr> <td><b>Transmission range*1*2</b></td> <td>Approx. 98.4 ft. / 30 m</td> </tr> <tr> <td><b>Groups</b></td> <td>Up to 5 groups (A-E) * Sender units are set to Group A</td> </tr> <tr> <td><b>Number of possible units for communication</b></td> <td>Up to 16 units of senders and receivers in total</td> </tr> <tr> <td><b>Max. sender units</b></td> <td>Up to 15 * Secondary and additional units serve as sub-senders</td> </tr> <tr> <td><b>Max. receiver units</b></td> <td>Up to 15</td> </tr> </table> <p>*1: Without any obstructions between senders and receivers, and without radio interference from other devices. *2: Transmission range may be shorter depending on factors such as how units are arranged, the surrounding environment, and weather conditions.</p>	<b>Compliance standards</b>	IEEE 802.15.4, ARIB STD-T66	<b>Communication method</b>	Primary modulation: OQPAK Secondary modulation: DS-SS	<b>Transmission frequency</b>	2405-2475 MHz	<b>Channel</b>	Channel 1-15 Setting: Auto / Manual	<b>Wireless radio ID</b>	0000 to 9999 Setting: Manual	<b>Transmission range*1*2</b>	Approx. 98.4 ft. / 30 m	<b>Groups</b>	Up to 5 groups (A-E) * Sender units are set to Group A	<b>Number of possible units for communication</b>	Up to 16 units of senders and receivers in total	<b>Max. sender units</b>	Up to 15 * Secondary and additional units serve as sub-senders	<b>Max. receiver units</b>	Up to 15							
<b>Compliance standards</b>	IEEE 802.15.4, ARIB STD-T66																											
<b>Communication method</b>	Primary modulation: OQPAK Secondary modulation: DS-SS																											
<b>Transmission frequency</b>	2405-2475 MHz																											
<b>Channel</b>	Channel 1-15 Setting: Auto / Manual																											
<b>Wireless radio ID</b>	0000 to 9999 Setting: Manual																											
<b>Transmission range*1*2</b>	Approx. 98.4 ft. / 30 m																											
<b>Groups</b>	Up to 5 groups (A-E) * Sender units are set to Group A																											
<b>Number of possible units for communication</b>	Up to 16 units of senders and receivers in total																											
<b>Max. sender units</b>	Up to 15 * Secondary and additional units serve as sub-senders																											
<b>Max. receiver units</b>	Up to 15																											
<p><b>Transmission Status Display</b></p>	<table border="1"> <thead> <tr> <th rowspan="2">Transmission status</th> <th colspan="2">Display</th> <th rowspan="2">&lt;LINK&gt; lamp</th> <th rowspan="2">LCD Panel</th> </tr> <tr> <th>Sender</th> <th>Receiver</th> </tr> </thead> <tbody> <tr> <td>Connected</td> <td>Yes</td> <td>Yes</td> <td>On (in green)</td> <td>Sender, Receiver</td> </tr> <tr> <td>Not Connected</td> <td>Yes</td> <td>Yes</td> <td>Off</td> <td>Sender, Receiver</td> </tr> <tr> <td>Too many units/Error</td> <td>Yes</td> <td></td> <td>Off</td> <td>Sender, Receiver</td> </tr> <tr> <td>Sub-sender</td> <td>Yes</td> <td></td> <td>On (in green)</td> <td>Sub Sender</td> </tr> </tbody> </table>	Transmission status	Display		<LINK> lamp	LCD Panel	Sender	Receiver	Connected	Yes	Yes	On (in green)	Sender, Receiver	Not Connected	Yes	Yes	Off	Sender, Receiver	Too many units/Error	Yes		Off	Sender, Receiver	Sub-sender	Yes		On (in green)	Sub Sender
Transmission status	Display		<LINK> lamp	LCD Panel																								
	Sender	Receiver																										
Connected	Yes	Yes	On (in green)	Sender, Receiver																								
Not Connected	Yes	Yes	Off	Sender, Receiver																								
Too many units/Error	Yes		Off	Sender, Receiver																								
Sub-sender	Yes		On (in green)	Sub Sender																								
<p><b>Wireless Firing Control</b></p>	<p>Wireless firing control via radio transmission</p> <table border="1"> <tr> <td rowspan="5"><b>Flash Mode</b></td> <td>E-TTL II / E-TTL autoflash</td> </tr> <tr> <td>Manual flash</td> </tr> <tr> <td>Stroboscopic flash</td> </tr> <tr> <td rowspan="3">Group firing</td> <td>E-TTL II / E-TTL autoflash</td> </tr> <tr> <td>Manual flash</td> </tr> <tr> <td>Auto external flash metering</td> </tr> </table>	<b>Flash Mode</b>	E-TTL II / E-TTL autoflash	Manual flash	Stroboscopic flash	Group firing	E-TTL II / E-TTL autoflash	Manual flash	Auto external flash metering																			
<b>Flash Mode</b>	E-TTL II / E-TTL autoflash																											
	Manual flash																											
	Stroboscopic flash																											
	Group firing		E-TTL II / E-TTL autoflash																									
		Manual flash																										
Auto external flash metering																												
<p><b>E-TTL II / E-TTL autoflash details</b></p>	<table border="1"> <tr> <td><b>ALL</b></td> <td>Flash metering control of all groups (A/B/C) as if they were a single flash unit</td> </tr> <tr> <td><b>A:B</b></td> <td>Flash metering control providing the flash ratio set for groups A and B • Flash ratio setting: 8:1 to 1:8 • Flash exposure compensation: +/- 3 stops</td> </tr> <tr> <td><b>A:B:C</b></td> <td>(1) Flash metering control providing the flash ratio set for groups A and B • Flash ratio setting: 8:1 to 1:8 (2) Flash metering control of group C as if it were a single flash unit • Flash Exposure compensation +/- 3 stops Flash exposure compensation can be set for the flash output of (1) and (2) above • Flash Exposure compensation +/- 3 stops</td> </tr> </table>	<b>ALL</b>	Flash metering control of all groups (A/B/C) as if they were a single flash unit	<b>A:B</b>	Flash metering control providing the flash ratio set for groups A and B • Flash ratio setting: 8:1 to 1:8 • Flash exposure compensation: +/- 3 stops	<b>A:B:C</b>	(1) Flash metering control providing the flash ratio set for groups A and B • Flash ratio setting: 8:1 to 1:8 (2) Flash metering control of group C as if it were a single flash unit • Flash Exposure compensation +/- 3 stops Flash exposure compensation can be set for the flash output of (1) and (2) above • Flash Exposure compensation +/- 3 stops																					
<b>ALL</b>	Flash metering control of all groups (A/B/C) as if they were a single flash unit																											
<b>A:B</b>	Flash metering control providing the flash ratio set for groups A and B • Flash ratio setting: 8:1 to 1:8 • Flash exposure compensation: +/- 3 stops																											
<b>A:B:C</b>	(1) Flash metering control providing the flash ratio set for groups A and B • Flash ratio setting: 8:1 to 1:8 (2) Flash metering control of group C as if it were a single flash unit • Flash Exposure compensation +/- 3 stops Flash exposure compensation can be set for the flash output of (1) and (2) above • Flash Exposure compensation +/- 3 stops																											
<p><b>Manual flash details</b></p>	<table border="1"> <tr> <td><b>ALL</b></td> <td>Flash output setting: 1/1024*1,2 to 1/1</td> </tr> <tr> <td><b>A+B</b></td> <td>Flash output setting: 1/1024*1,2 to 1/1</td> </tr> <tr> <td><b>A+B+C</b></td> <td>Flash output setting: 1/1024*1,2 to 1/1</td> </tr> </table> <p>1: Minimum of 1/128 for high-speed sync 2: Speedlites not supporting minimum flash output of 1/1024 fire at a level close to 1/1024 3: When [Sender flash firing] is disabled, a flash output of up to 1/8192 is possible</p>	<b>ALL</b>	Flash output setting: 1/1024*1,2 to 1/1	<b>A+B</b>	Flash output setting: 1/1024*1,2 to 1/1	<b>A+B+C</b>	Flash output setting: 1/1024*1,2 to 1/1																					
<b>ALL</b>	Flash output setting: 1/1024*1,2 to 1/1																											
<b>A+B</b>	Flash output setting: 1/1024*1,2 to 1/1																											
<b>A+B+C</b>	Flash output setting: 1/1024*1,2 to 1/1																											
<p><b>Stroboscopic flash</b></p>	<p>Not supported</p>																											

<b>Group firing details</b>	<p>Enables separate configuration of flash firing control conditions 1-3 below for each groups (A, B, C, D, E), to combine multiple methods of flash firing control.</p> <p>(1) E-TTL II / E-TTL autoflash  (2) Manual flash  (3) Auto external flash metering For all flash output set for groups A-E above, the same flash exposure compensation can be set.</p> <p>* Flash exposure compensation <math>\pm 3</math> stops</p>										
<b>Test flash</b>	Available (Sender/Receiver)										
<b>Modeling flash</b>	Not available										
<b>Modeling lamp</b>	Not available										
<b>Receiver Functionality</b>	<p>Sender unit functions that receivers can control remotely</p> <ul style="list-style-type: none"> <li>• Remote release</li> <li>• Test flash</li> <li>• Modeling flash*1</li> </ul> <p>* Sub-senders cannot be controlled remotely</p>	<p>*1. Modeling flash is only available by using the combination of a camera, not from their EOS R series or the EOS M series, with a compatible Speedlite as a sender, and using EL-10 as a receiver.</p>									
<b>Information Display</b>											
<b>Type</b>	FSTN LCD										
<b>Size</b>	Approx. 1.89(H) x 1.04(V) in.										
<b>Display Format</b>	Dot-matrix display										
<b>Dot Count</b>	Approx. 12,000 dots (172 x 72)										
<b>General</b>											
<b>Power source</b>	<p><b>Battery Pack – 4X AA/LR6 alkaline batteries</b></p> <p>* AA/HR6 Ni-MH batteries can be used, AA/FR6 lithium batteries cannot be used.</p>										
<b>Battery level indicator</b>	Not Supported										
<b>External power source</b>	Not Supported										
<b>Radio Transmission wireless shooting time</b>	<p>Approx 9 hrs. continuously</p> <p>*Time until the Speedlite turns off with sender flash firing disabled, when using radio transmission wireless</p> <p>* Using new AA/LR6 Alkaline batteries, based on Canon testing standards.</p>										
<b>Maximum flash count</b>	<table border="1"> <tr> <td>AA/LR6 alkaline batteries</td> <td>Approx 210-1400 times</td> </tr> <tr> <td>Size AA Ni-MH batteries</td> <td>Approx. 260-1700 times</td> </tr> </table>		AA/LR6 alkaline batteries	Approx 210-1400 times	Size AA Ni-MH batteries	Approx. 260-1700 times					
AA/LR6 alkaline batteries	Approx 210-1400 times										
Size AA Ni-MH batteries	Approx. 260-1700 times										
<b>Dimensions</b>	<table border="1"> <tr> <td>Speedlite EL-10</td> <td>2.8x4.6x3.9 in. (70.6x116.3x98.3mm)</td> </tr> <tr> <td>Mini stand</td> <td>2.6x0.4x3.0 in. (66.8x10.3x75.9mm)</td> </tr> </table>		Speedlite EL-10	2.8x4.6x3.9 in. (70.6x116.3x98.3mm)	Mini stand	2.6x0.4x3.0 in. (66.8x10.3x75.9mm)					
Speedlite EL-10	2.8x4.6x3.9 in. (70.6x116.3x98.3mm)										
Mini stand	2.6x0.4x3.0 in. (66.8x10.3x75.9mm)										
<b>Weight</b>	<table border="1"> <tr> <td>Speedlite EL-10</td> <td>Approx. 287 g</td> <td>Approx. 10.1 oz</td> </tr> <tr> <td>Mini stand</td> <td>Approx. 22g</td> <td>Approx. 0.8 oz</td> </tr> <tr> <td>Speedlite Case</td> <td>Approx. 41 g</td> <td>Approx. 1.4 oz</td> </tr> </table>		Speedlite EL-10	Approx. 287 g	Approx. 10.1 oz	Mini stand	Approx. 22g	Approx. 0.8 oz	Speedlite Case	Approx. 41 g	Approx. 1.4 oz
Speedlite EL-10	Approx. 287 g	Approx. 10.1 oz									
Mini stand	Approx. 22g	Approx. 0.8 oz									
Speedlite Case	Approx. 41 g	Approx. 1.4 oz									

## Functions

### Light Distribution

Set in C.Fn-21

<b>0: Standard</b>	A light distribution setting that balances light distribution and the guide number.
<b>1: Guide number priority</b>	Prioritizes illumination at the center of the screen, the periphery may be dark.
<b>2: Light distribution priority</b>	Light distribution that reduces peripheral darkness.

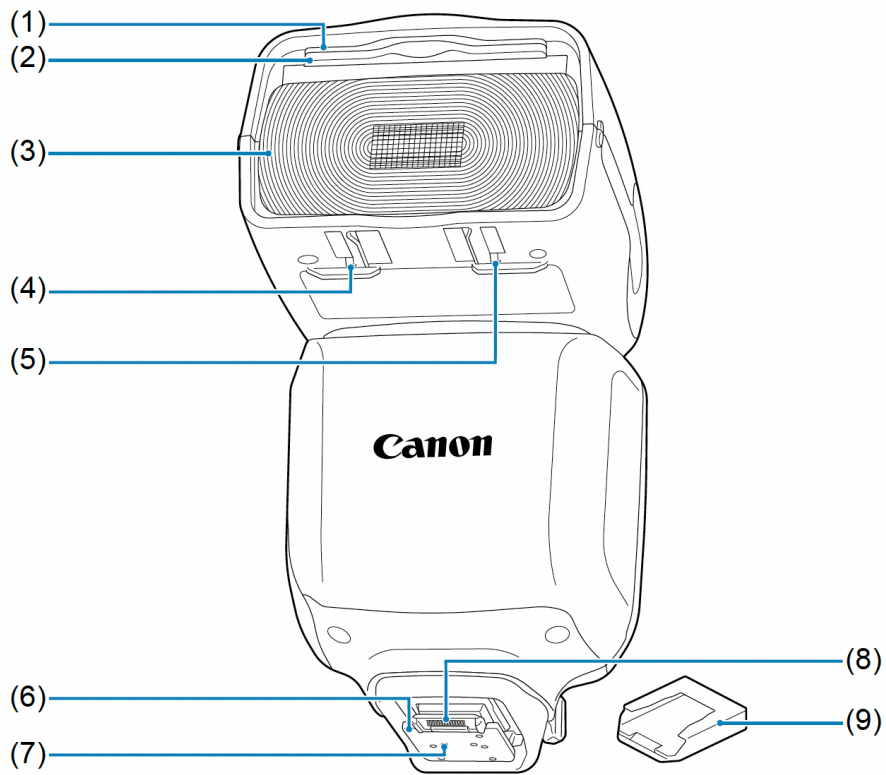
### Custom Functions

14 Functions

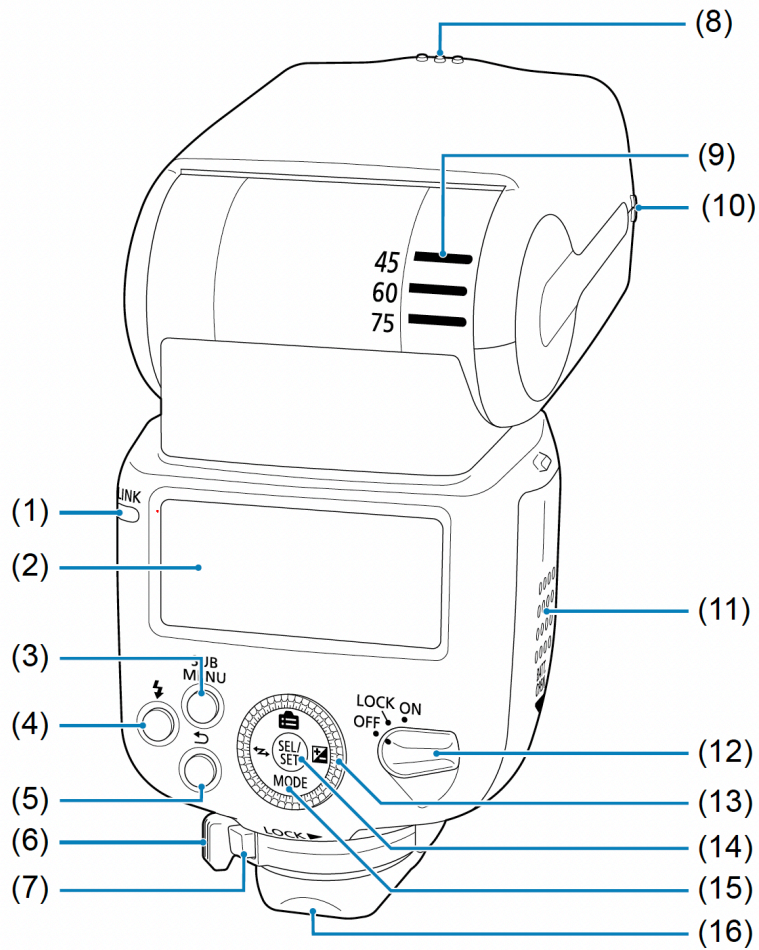
Function	Number	Setting
<b>C.Fn-00: Distance indicator display</b>	0	m (display in meters)
	1	ft. (display in feet)
<b>C.Fn-01: Auto power off</b>	0	ON (90 sec.)
	1	OFF
<b>C.Fn-08: AF-assist beam firing</b>	0	ON (enabled)
	1	OFF (disabled)
<b>C.Fn-10: Receiver auto power off timer</b>	0	60 min.
	1	10 min.
<b>C.Fn-11: Receiver auto power off timer</b>	0	Within 8 hours
	1	Within 1 hour
<b>C.Fn-13: Flash exposure compensation setting</b>	0	Button and dial
	1	Direct setting with the dial
<b>C.Fn-19: FEM (FE Memory)</b>	0	OFF (disabled)
	1	ON (enabled)
<b>C.Fn-21: Light distribution</b>	0	Standard
	1	Guide number priority
	2	Even coverage
<b>C.Fn-22: LCD panel illumination</b>	0	Stay on for 12 sec. after operation
	1	OFF Disable panel illumination
	2	ON Illumination always on

**Personal Functions**

Function	Number	Setting
<b>P.Fn-01: LCD Panel Contrast</b>		Display contrast: 5 levels
<b>P.Fn-02: QUICK (Quick Flash)</b>	0	On (enabled)
	1	OFF (disabled)
<b>P.Fn-03: LINKED SHOT (FLASH FIRING DURING LINKED SHOOTING)</b>	0	OFF (disabled)
	1	On (enabled)
<b>P.Fn-04: DIRECT (Change settings with dial)</b>	0	OFF (disabled)
	1	On (enabled)



- (1) Catchlight panel (shown stowed)
- (2) Wide panel (shown stowed)
- (3) Flash head (light-emitting unit)
- (4) Bounce adapter detector
- (5) Color filter detector
- (6) Mounting foot
- (7) Mounting foot locking pin
- (8) Contacts
- (9) Mounting foot cover

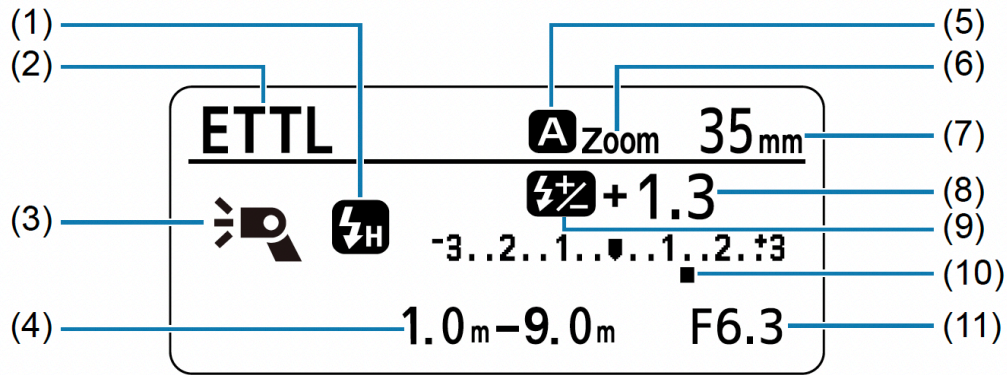


- |   |  |
|---|--|
| (1) <LINK> Radio transmission confirmation lamp | (13) <O> Select dial                                   |
| (2) LCD panel                                   | (14) <O> Select/Set button                             |
| (3) <SUB MENU> Sub menu button                  | (15) <+> Cross keys                                    |
| (4) <⚡> Flash-ready lamp / test flash button    | <M> Menu direct  |
| (5) <↶> Undo button                             | <MODE> Flash mode                                      |
| (6) Mounting foot lock lever                    | <↔> Wireless / linked shooting setting                 |
| (7) Lock-release button                         | <☑> Flash exposure compensation / flash output setting |
| (8) Color filter mount                          | (16) Dust-proof and drip-proof adapter                 |
| (9) Bounce angle index                          |  |
| (10) Bounce adapter mount                       |  |
| (11) Battery compartment cover                  |  |
| (12) Power switch                               |  |
| <ON> Power ON                                   |  |
| <LOCK> Button / dial lock (Power ON)            |  |



## LCD Panel

### E-TTL II / E-TTL autoflash

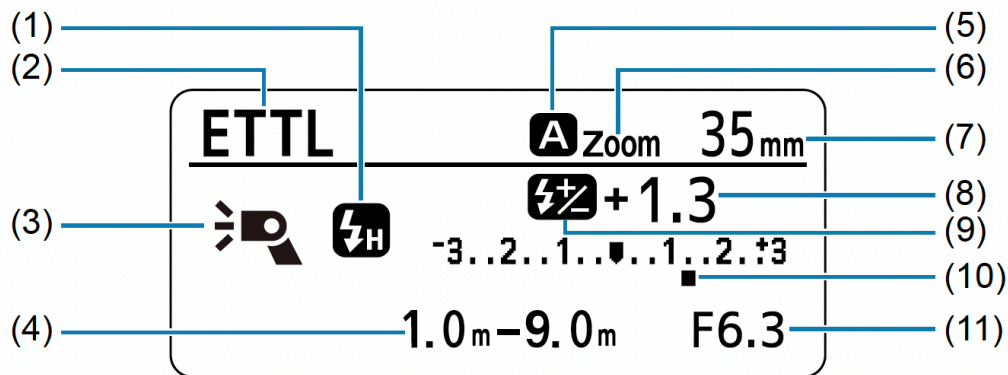


- (1) < > First-curtain sync (normal shooting)  
 < > Second-curtain sync  
 < > High-speed sync
- 
- (2) < **ETTL** > E-TTL II / E-TTL autoflash  
 < **C1** > / < **C2** > / < **C3** > Custom flash mode\*1
- 
- (3) < > Standard  
 < > Guide number priority  
 < > Even coverage  
 < > Bounce  
 < > Bounce adapter attached  
 < > Color filter attached  
 < > Temperature increase (flash firing restriction)
- 
- (4) Effective flash range / shooting distance  
 < **m** > Value in meters  
 < **ft** > Value in feet
- 
- (5) < **CHARGE** > Charge indicator  
 < **A** > Auto  
 < **M** > Manual
- 
- (6) < **Zoom** > Zoom indicator  
 < **WP** > Wide panel + bounce warning  
 < **WIDE** > Out of flash coverage range warning
- 
- (7) Flash coverage (focal length)
- 
- (8) Flash exposure compensation amount
- 
- (9) < > Flash exposure compensation
- 
- (10) Flash exposure level
- 
- (11) < **F** > Aperture value

\* 1: The flash mode is identified after the indicator for the current Custom flash mode.

## LCD Panel

### E-TTL II / E-TTL autoflash



- (1) < > First-curtain sync (normal shooting)  
 < > Second-curtain sync  
 < > High-speed sync

- (2) < **ETTL** > E-TTL II / E-TTL autoflash  
 < **C1** > / < **C2** > / < **C3** > Custom flash mode\*<sup>1</sup>

- (3) < > Standard  
 < > Guide number priority  
 < > Even coverage  
 < > Bounce  
 < > Bounce adapter attached  
 < > Color filter attached  
 < > Temperature increase (flash firing restriction)

- (4) Effective flash range / shooting distance  
 < **m** > Value in meters  
 < **ft** > Value in feet

- (5) < **CHARGE** > Charge indicator  
 < **A** > Auto  
 < **M** > Manual

- (6) < **Zoom** > Zoom indicator  
 < **WP** > Wide panel + bounce warning  
 < **WIDE** > Out of flash coverage range warning

- (7) Flash coverage (focal length)

- (8) Flash exposure compensation amount

- (9) < > Flash exposure compensation

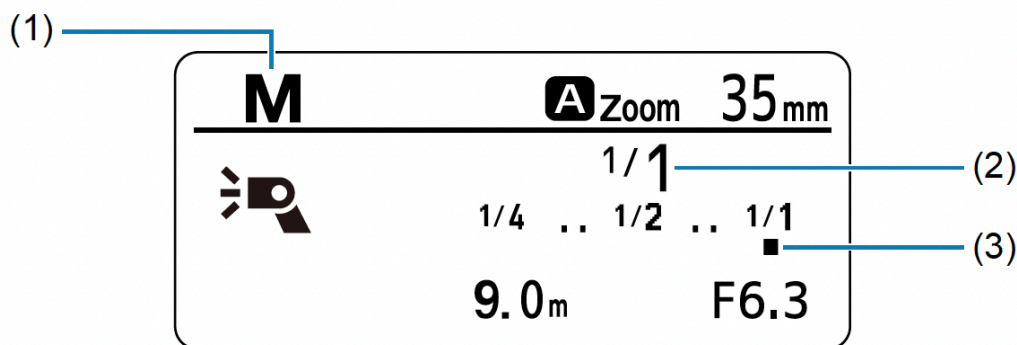
- (10) Flash exposure level

- (11) < **F** > Aperture value

\* 1: The flash mode is identified after the indicator for the current Custom flash mode.



## Manual flash



(1) < **M** > Manual flash  
< **C1** > / < **C2** > / < **C3** > Custom flash mode\*<sup>1</sup>

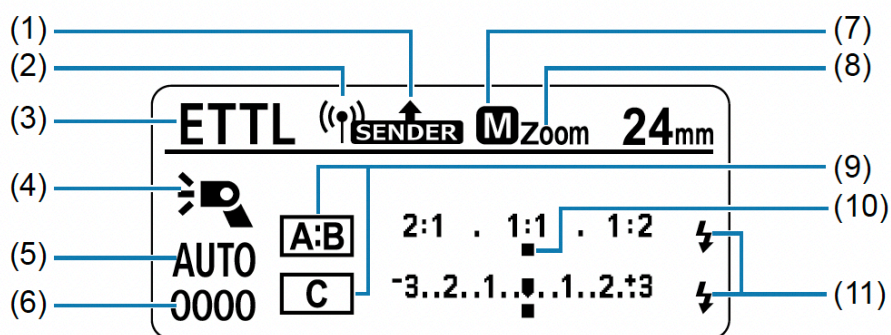
(2) Manual flash output

(3) Manual flash level

\* 1: The flash mode is identified after the indicator for the current Custom flash mode.

## Radio transmission wireless flash photography

### ● Sender unit



(1) < **SENDER** > Configured as a sender  
< **SUB SENDER** > Configured as a sub-sender

(2) < ((Ⓜ)) > Radio transmission wireless

(3) Flash mode  
< **ETTL** > E-TTL II / E-TTL autoflash  
< **M** > Manual flash  
< **Gr** > Group firing  
< **C1** > / < **C2** > / < **C3** > Custom flash mode\*<sup>1</sup>

(4) < ⚡ > Sender flash firing ON  
< ⚡ > Sender flash firing OFF

(5) < **Ch** > Transmission channel  
< **AUTO** > Transmission channel set automatically

(6) Wireless radio ID

(7) < **CHARGE** > Sender / receiver charge indicator

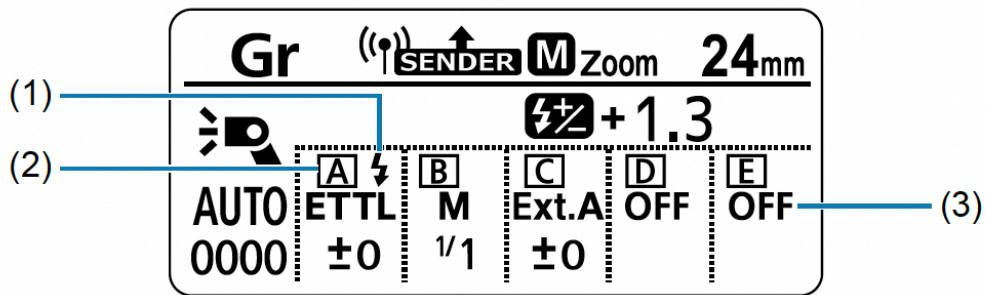
(8) < ⓂTv > Synchronization speed warning

(9) Firing group control

(10) Flash ratio

(11) < ⚡ > Receiver fully charged

\* 1: The flash mode is identified after the indicator for the current Custom flash mode.



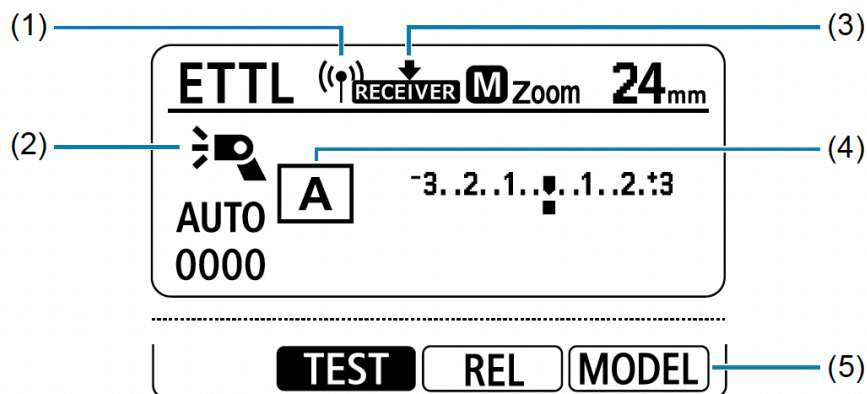
(1) < > Receiver fully charged

(2) Firing group control

(3) Group firing mode\*1

\* 1: < **Gr** > Group firing only

● Receiver unit



(1) < > Radio transmission wireless

(2) < > Receiver

(3) < **RECEIVER** > Configured as a receiver

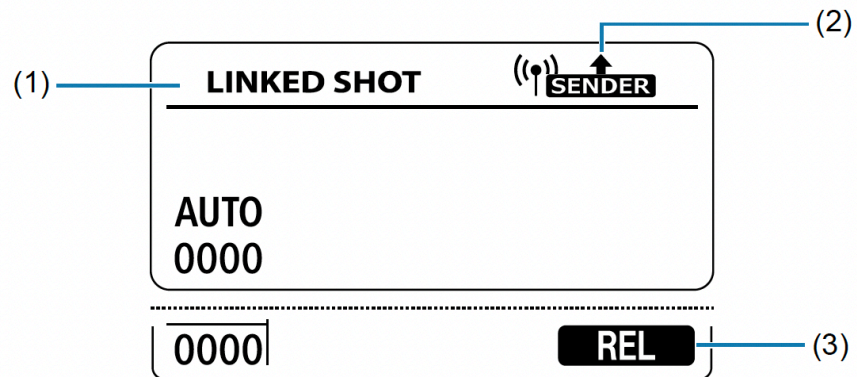
(4) Firing group

(5) < **TEST** > Test flash

< **REL** > Remote release

< **MODEL** > Modeling flash

## Radio transmission: linked shooting



(1) < **LINKED SHOT** > Linked shooting  
< **C1** > / < **C2** > / < **C3** > Custom flash mode\*<sup>1</sup>

(2) < **SENDER** > Configured as a sender  
< **RECEIVER** > Configured as a receiver

(3) < **REL** > Release\*<sup>2</sup>

\* 1: The flash mode is identified after the indicator for the current Custom flash mode.

\* 2: < **SENDER** > Only when configured as a sender.